

EcoSep™

Internal-fed Drum Screen

圓筒式固液分離篩除機(內進水型)

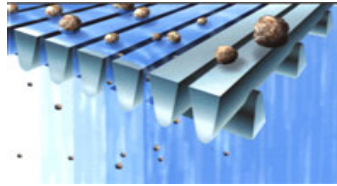


The EcoSep™ is a rotary screen for liquid/solid separation consisting of a cylindrical “V” shape wedge wire screen with inner solid discharge blades arranged in a helicoids pattern.

The screen cylinder features a drive and a discharge end and is driven by a gear motor, chain, and sprockets, while supported by turn-on wheels mounted on a base frame.

EcoSep offering the following benefits:

- Triangular(V-shaped) wedge wire screen design
- Daul spray bar design
- Wide range of industrial applications
- Low capital and operation cost
- Provides long years of reliable, trouble free service
- Automatic operation, requires little operator attention

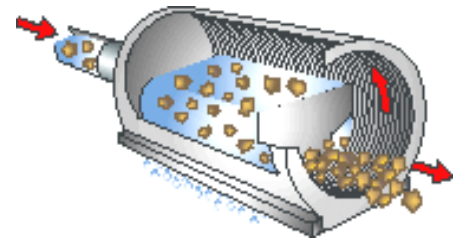
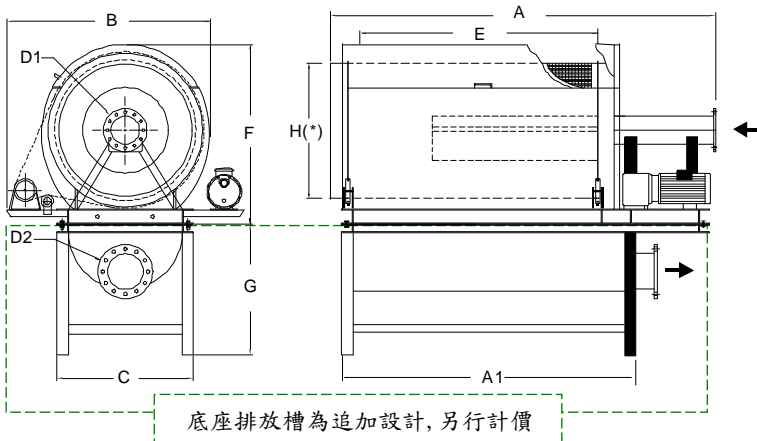


Operation Incoming liquid is fed into the drum through an inlet pipe, which distributes the water over a large area of the drum’s interior. During passage through the drum, the liquid is screened through the screen’s perforations and collects in the trough underneath. Separated particles are transported out of the drum through the helicoids pattern blades and. dewatering continues throughout transport in the drum. To prevent clogging of the unit’s perforations, all drum screens are fitted with a dual spray header with spray nozzles.

採用德國三角不銹鋼條圓篩網,在不易被污物堵塞優點下,來取代以往圓孔狀或網狀之易阻塞缺點。

運作中,污水與汙物顆粒在篩網“下半圓”產生分離,過濾水滲透網隙流入處理後水槽,污物則積沉於網內,經特殊角度的葉片將其推擠排出網外,掉落於另行製作之儲汙筒內。篩網另有設置內外兩套污物噴沖管路,將滯留污物噴離篩網。

25年來的經驗與好幾百套 EcoSep 持續運轉於生活污水廠與各型產業的汙水處理廠,進行其優異的攔汙固液分離任務。



適用範圍:

- 市政生活污水廠,工業區污水廠
- 各類動物(雞鴨豬鵝...等)電動宰殺廠
- 各類食品,魚肉類分裝與罐頭廠
- 皮革廠,紡織染整,紙漿廠等
- 各型產業,工廠製程固液分離與汙水處理廠

EcoSep™ Dimensions and Technical Data

Model	Screen opening(mm)				Dimensions(cm)								Motor(Hp)	
	1.0	1.5	2.0	3.0	A/A1	B	C	D1	D2	E	F	G	Drum motor	Jet pump
	Flow rate,m ³ /h(*)													
RT-0608-WG	45	67	80	115	154/119	99	69	6"	8"	80	85	60	1	1
RT-0610-WG	56	82	98	142	174/139	99	69	6"	8"	100	85	60	1	1
RT-0612-WG	68	100	120	170	194/159	99	69	6"	8"	120	85	60	1	1
RT-0908-WG	135	160	200	300	154/119	137	91	8"	10"	80	114	80	1	1
RT-0910-WG	160	200	248	373	174/139	137	91	8"	10"	100	114	80	1	1
RT-0912-WG	200	240	298	450	194/159	137	91	8"	10"	120	114	80	2	1
RT-0920-WG	318	395	490	710	274/239	137	91	10"	12"	200	114	80	2	2

■ H(*): Screen Drum Diameter: RT-06: 600mm, RT-09: 900mm (*) Theoretical: Calculated with clean water 理論值清水濾過水量

■ Screen and construction: SUS 304 ■ Dimensions subject to change without notices